

Web site: www.marinco.com
Phone: 800-307-6702
Date: September, 2013 Rev: 00

Inlet, Locking, Non-metallic
16A, 230V

Catalog Number: 304EL-BX

Item: Inlet, non-metallic locking.

Rating: 16 amperes, 230 volts, 50 Hz, single-phase, 2-pole, 3-wire..

Materials: Cap & Bezel are glass-filled polyester.
Plug body is nylon with CTI greater than 600 volts.
Contact blades and terminal parts are nickel plated brass.
Rear enclosure is glass-filled polyester with UL flammability rating of 94V-0.

Terminals: Clamp-type terminals accept up to 4 mm² wire.

Enclosure: Provided. Has integral strain relief for oval jacketed cable.
Cable exits at right angle to enclosure in any of 8 positions.

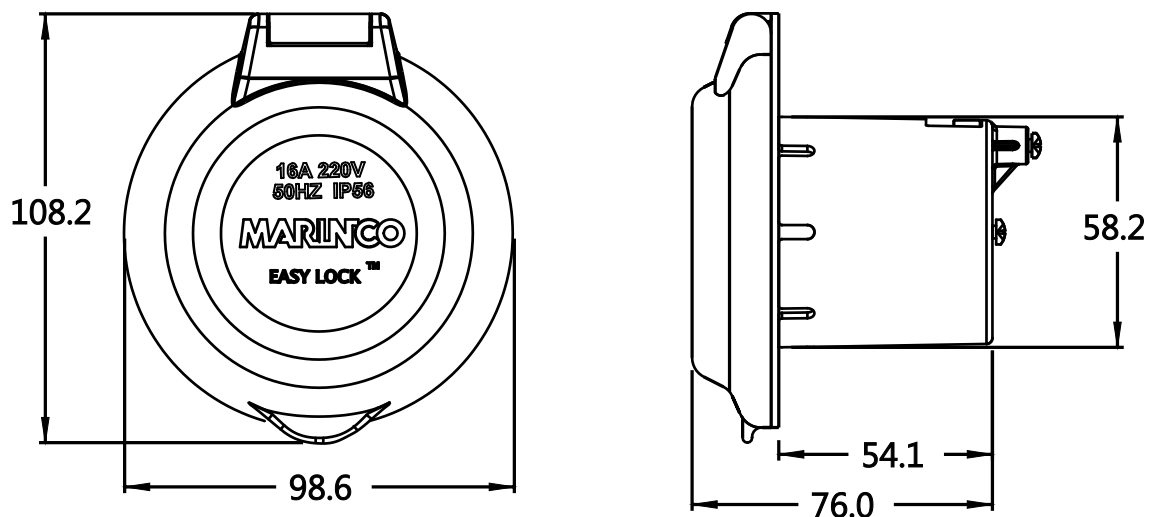
Blades: Blades are nickel-plated brass 1.8 mm thick.

Mounting screws: Not provided. Three mounting holes are 4.1 mm diameter, 120° apart on 80.3 mm diameter circle.

Mounting Gasket: Solid Neoprene, 1.6 mm thick.

Cap Closure: Pressure close. Provided with Easy Lock™ bayonet style locking system.
Provides weather seal when used with cords having threaded, or Easy Lock™ sealing rings.

Dimensions:



Dimensions shown in millimeters